

UE Mini Stage-Co2 Narrow STD

Article Code: PFPOSC001217

The UE Mini Stage-Co2 MultiJet STD is a fixed Co2 casting machine. The shape of the head creates thin Co2 shots. The STD version has to be directly connected to power supply.

Ultra compact, it can be used on the ground or hung up. It suits any environments. Its unique interchangeable heads system offers a large range of Co2 effects.

Co2, in case of high concentration, may be a dangerous gas. For any indoor use we advise you to connect it to the UE Level Detector of Co2.

NOMENCLATURE

- 1 x UE Mini Stage-Co2 Narrow STD
- 1 x UE PowerCon Supply Male 10A 2m



TECHNICAL SPECIFICATIONS

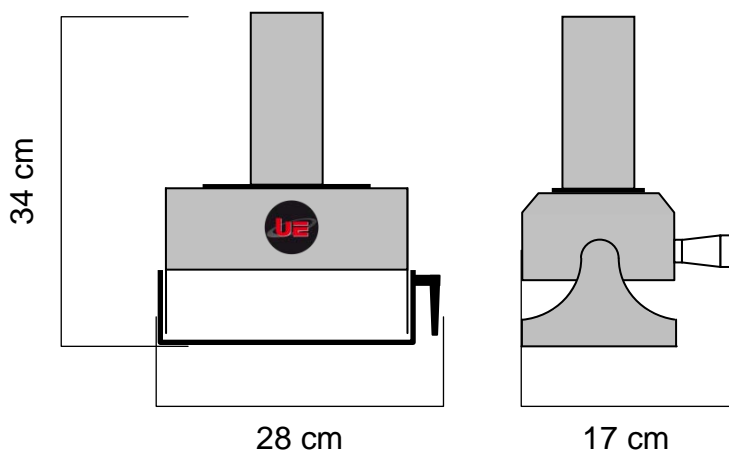
Dimensions: L 28 x W 17 x H 34 cm
Weight: 2.8 Kg

Power rating:
230V – 50/60Hz – 15W – 0.1A

FEATURES

Fitted with 1 output for CO2 shooting.
Narrow head for thin shots
Tilting bracket.

Consumption: 0.6kg/sec of CO2



OPTIONAL ACCESSORIES

- UE Head Wide
- UE Head Ball
- UE Head Blade
- UE Head Wall
- UE Head Silent
- UE Head Multijet
- UE Head Cross
- UE PowerCon Link Cable
- UE Gas Splitter 1-2 Chamber
- UE Ground Foot Mini-Stage
- UE Detector of Co2
- UE Detector Cable
- UE Interface Security Pack

COMPLEMENTARY ACCESSORIES

- 1 x UE Gas HP Pipe
- 1 x UE Connection for Co2 Bottle

CONSUMABLES

Liquid Co2 bottle with dip tube
Please ask if case you want the list of our gas suppliers.

Made with ALUMINIUM and STAINLESS STEEL, the UE Mini Stage-Co2 Narrow STD is a durable product. Each component has been selected for its quality and its efficiency.

Universal-Effects, Quality and Innovation made in France



TECHNICAL SHEET

UE Mini Stage-Co2 Narrow DMX

Article Code: PFPOSC002217

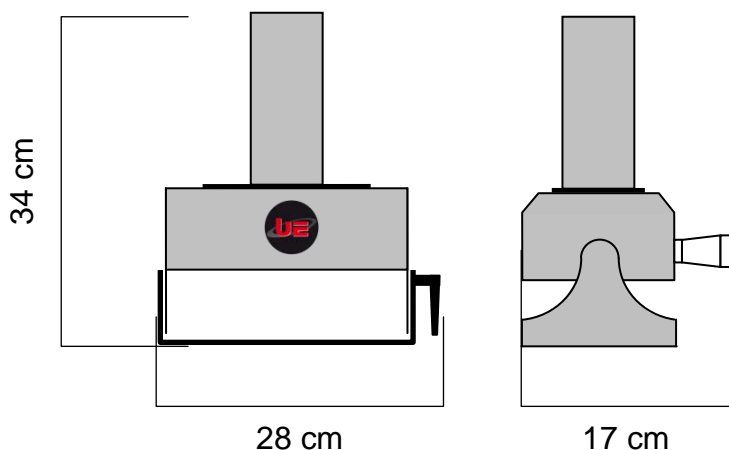
The UE Mini Stage-Co2 MultiJet DMX is a fixed Co2 casting machine. The shape of the head creates thin Co2 shots.

Ultra compact, it can be used on the ground or hung up. It suits any environments. Its unique interchangeable heads system offers a large range of Co2 effects.

Co2, in case of high concentration, may be a dangerous gas. For any indoor use we advise you to connect it to the UE Level Detector of Co2.

NOMENCLATURE

- 1 x UE Mini Stage-Co2 Narrow DMX
- 1 x UE PowerCon Supply Male 10A 2m



TECHNICAL SPECIFICATIONS

Dimensions: L 28 x W 17 x H 34 cm
Weight: 3.4 Kg

Power rating:
230V – 50/60Hz – 15W – 0.1A

FEATURES

Fitted with 1 output for CO2 shooting.
Narrow head for thin shots
Tilting bracket.

Consumption: 0.6kg/sec of CO2

OPTIONAL ACCESSORIES

- UE Head Wide
- UE Head Ball
- UE Head Blade
- UE Head Wall
- UE Head Silent
- UE Head Multijet
- UE Head Cross
- UE PowerCon Link Cable
- UE Gas Splitter 1-2 Chamber
- UE Ground Foot Mini-Stage
- UE Detector of Co2
- UE Detector Cable
- UE Interface Security Pack

COMPLEMENTARY ACCESSORIES

- 1 x UE Gas HP Pipe
- 1 x UE Connection for Co2 Bottle

CONSUMABLES

Liquid Co2 bottle with dip tube
Please ask if case you want the list of our gas suppliers.

Made with ALUMINIUM and STAINLESS STEEL, the UE Mini Stage-Co2 Narrow DMX is a durable product. Each component has been selected for its quality and its efficiency.

Universal-Effects, Quality and Innovation made in France

Universal-Effects Europe – Parc de l'Évènement, 1 Allée d'Effiat, 91160 LONGJUMEAU – FRANCE
Enlèvement & Livraison : Universal-Effects Manufacture – 87 Route de Montcenis, 71200 LE CREUSOT – FRANCE
Office +33 (0)385 730 747 – Fax +33 (0)385 730 745 – Email info@ue-europe.com – www.ue-europe.com