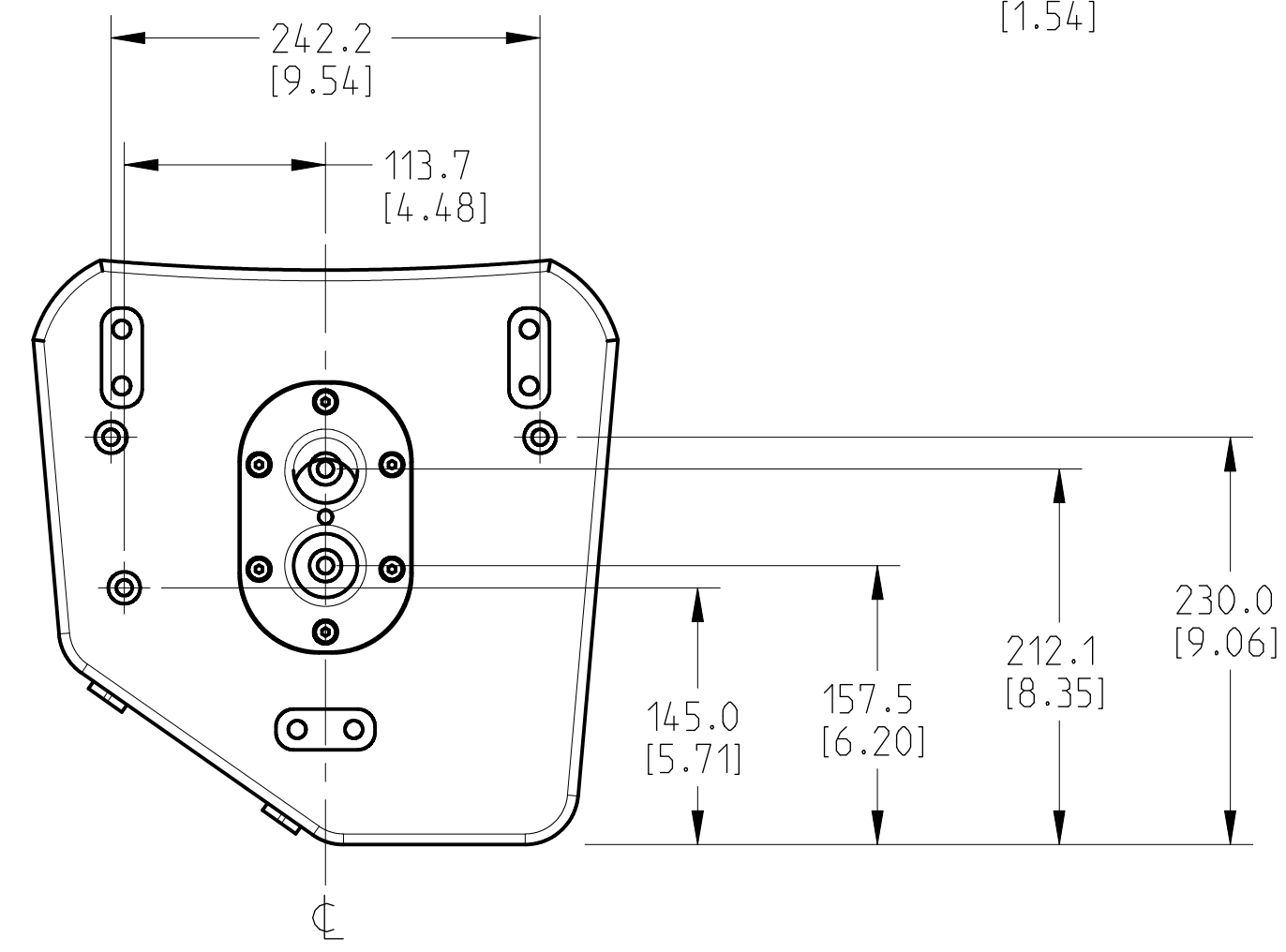
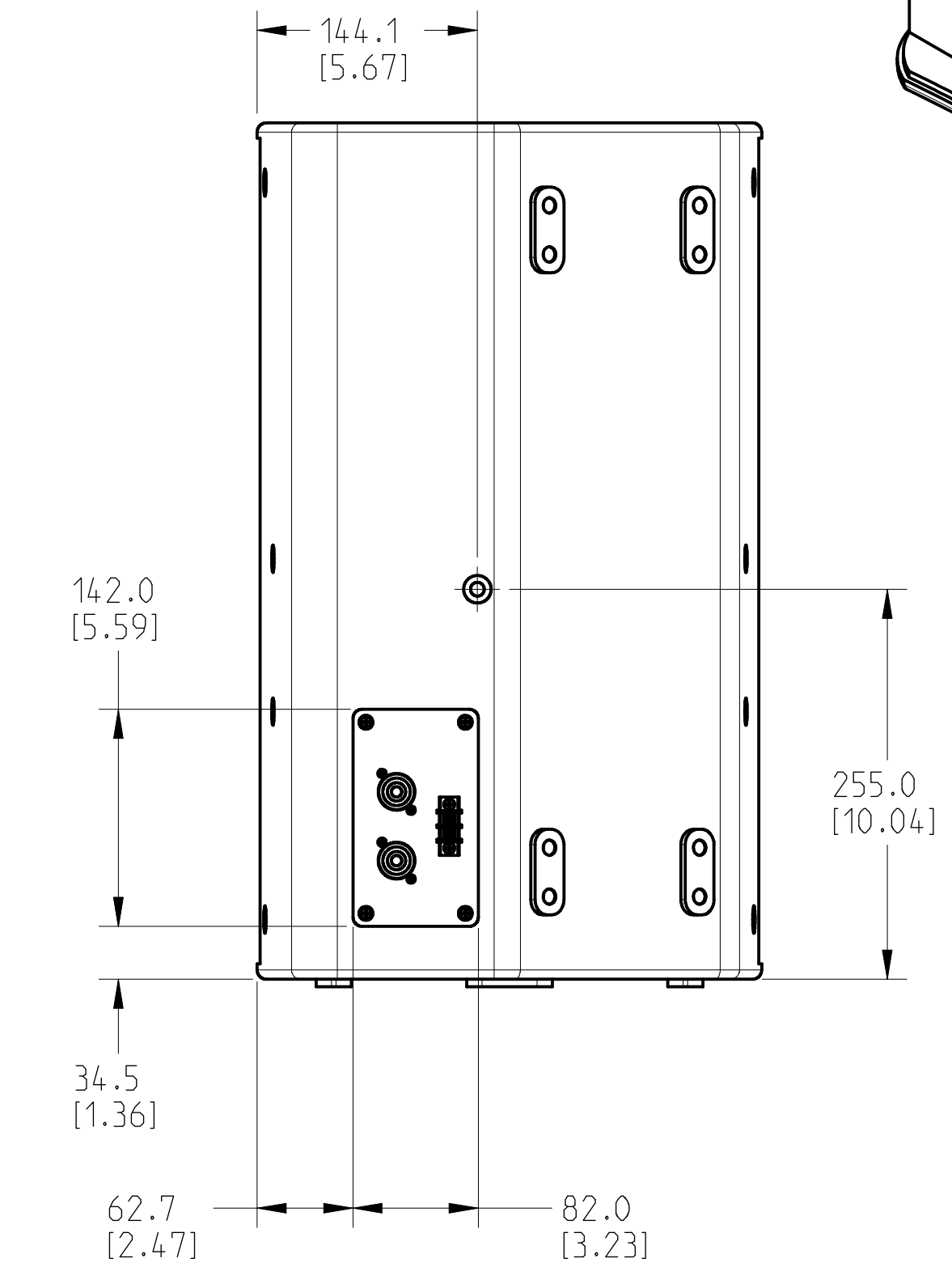
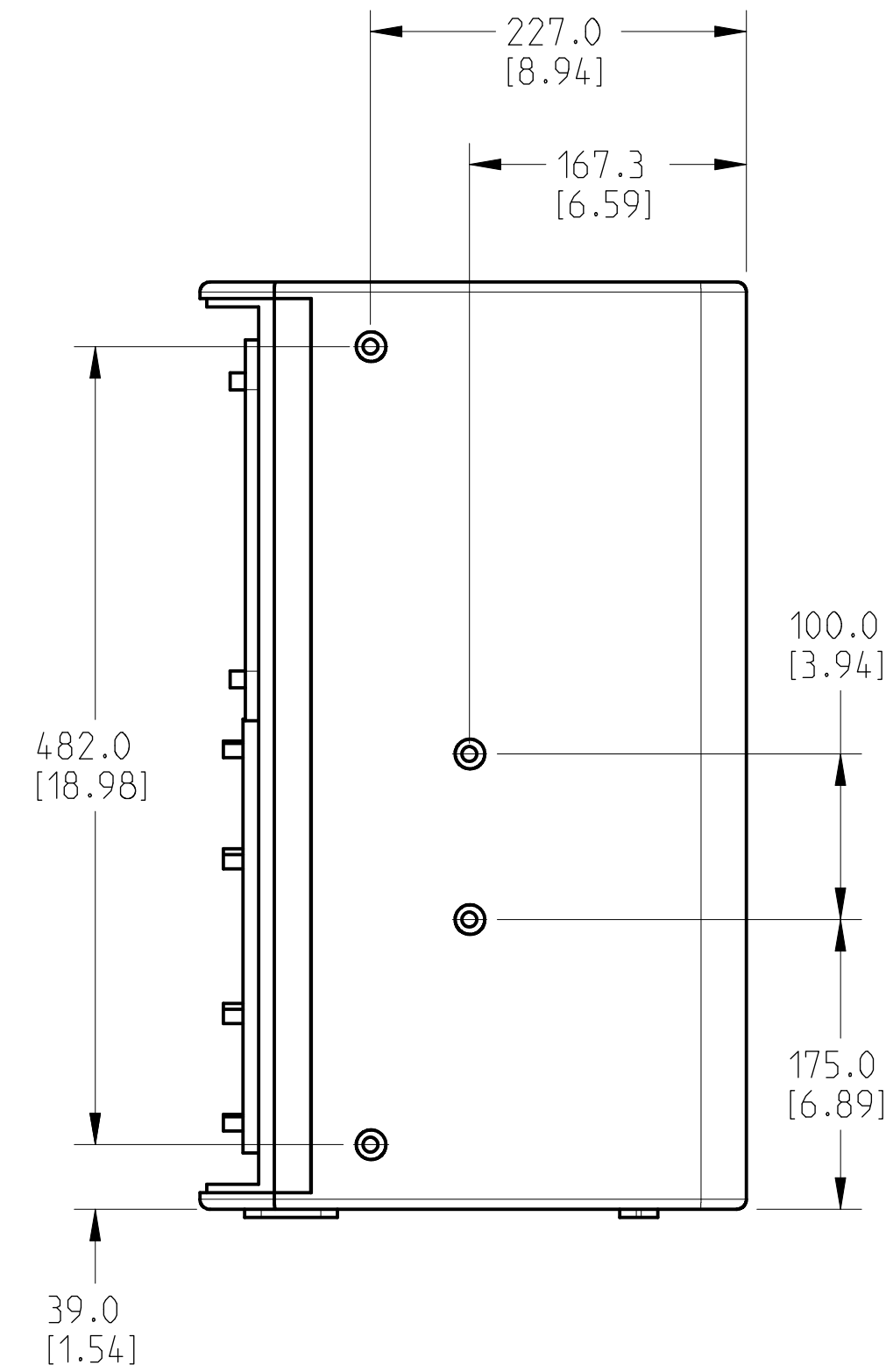
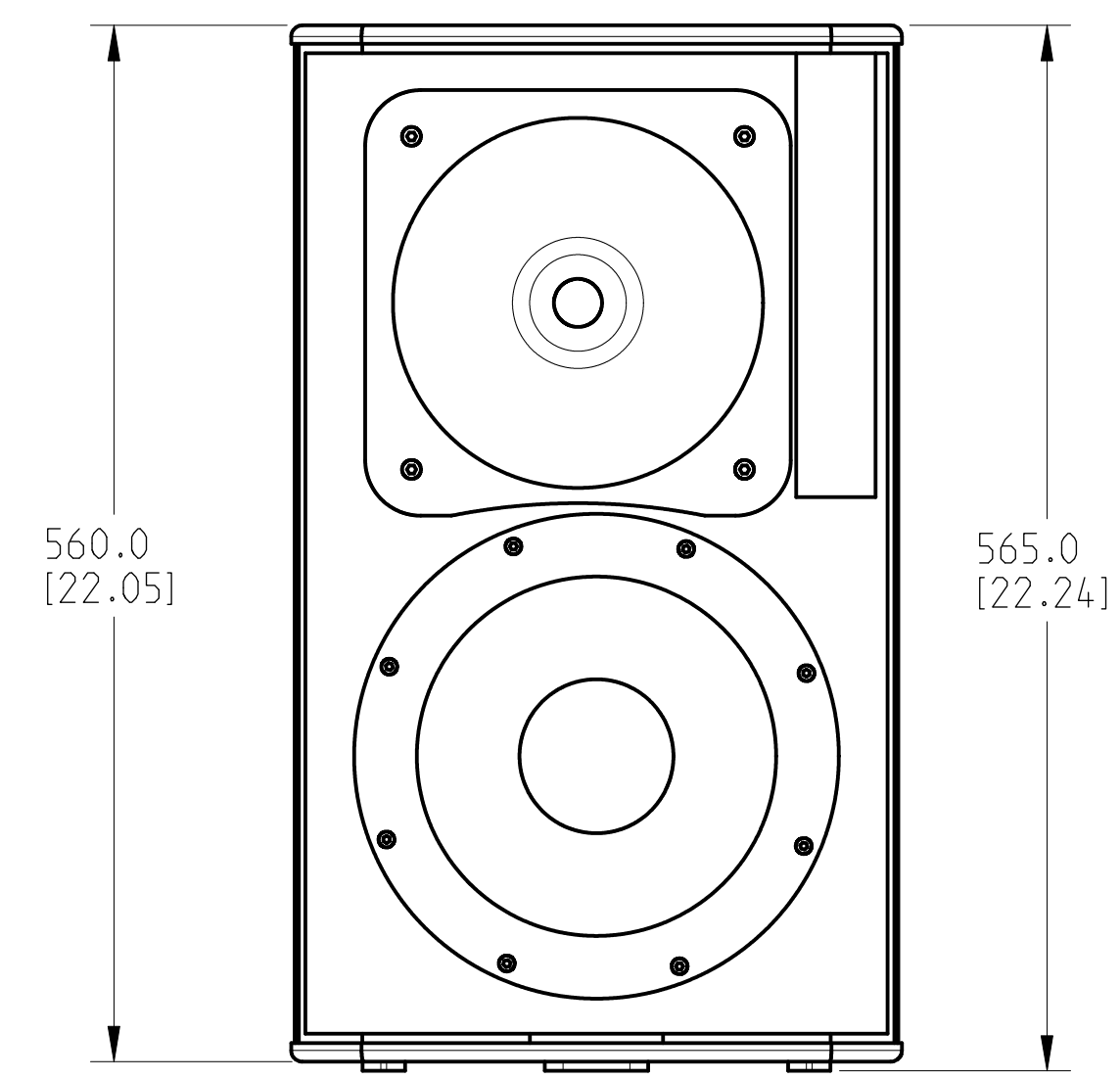
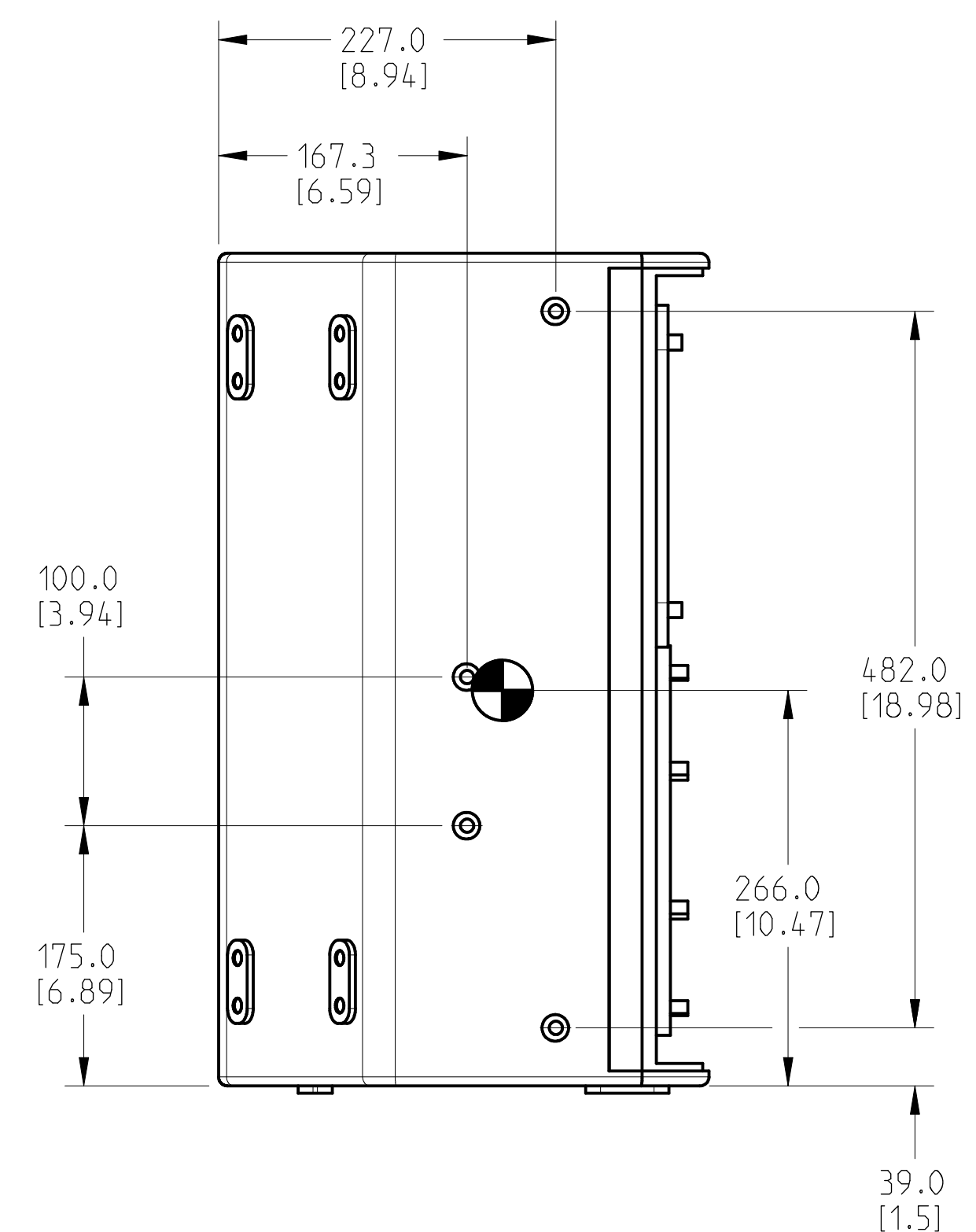
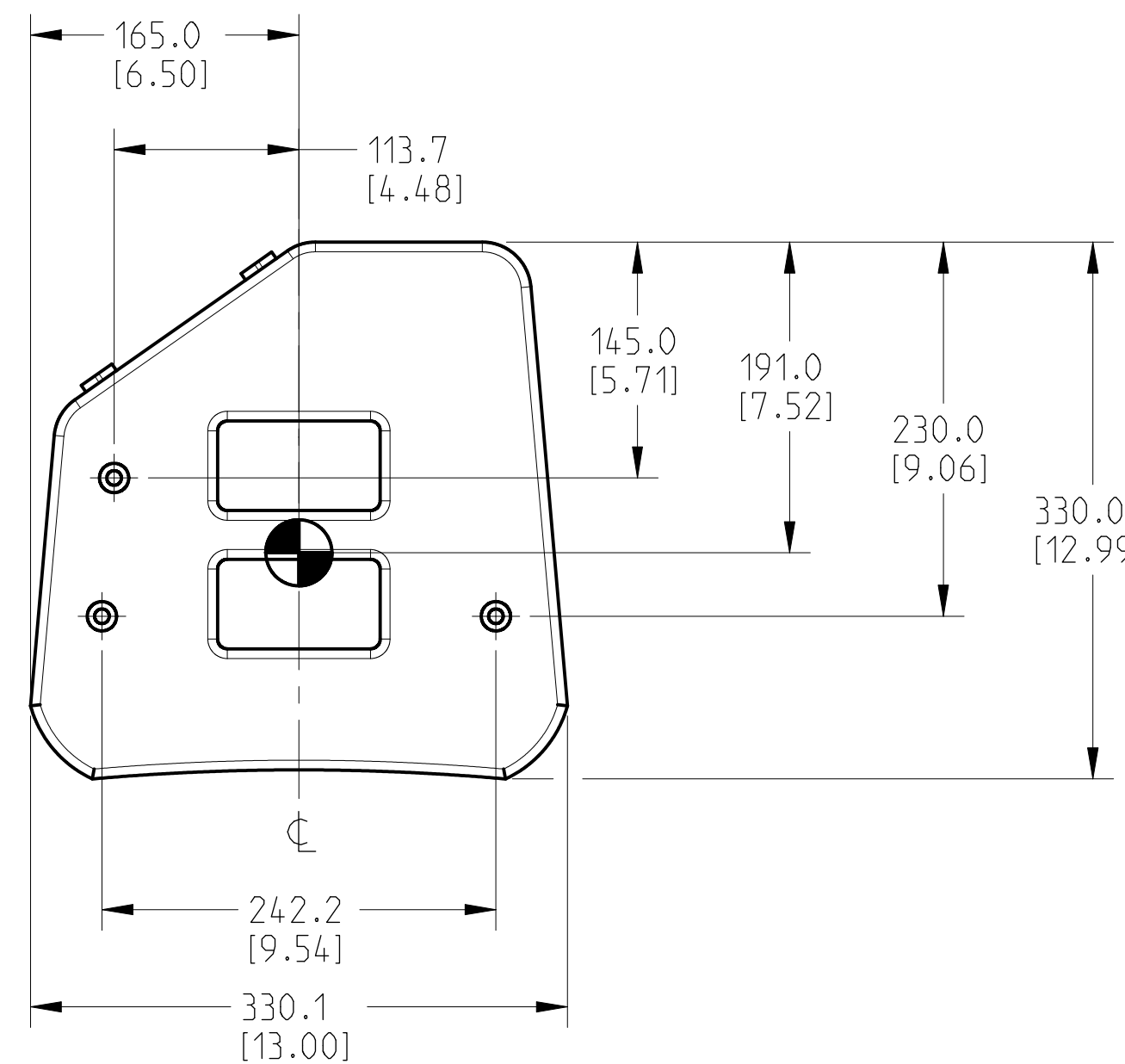
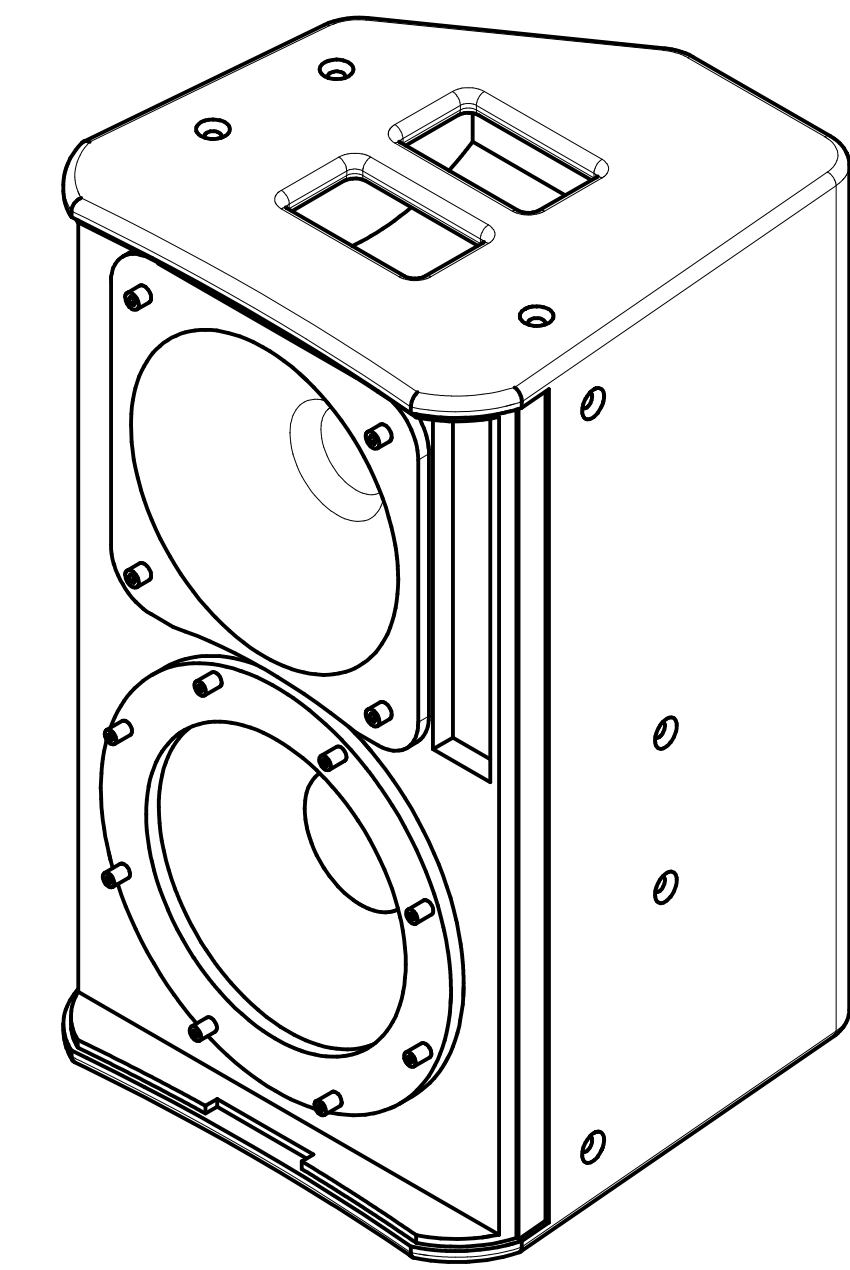


THIS DOCUMENT CONTAINS PROPRIETARY INFORMATION WHICH IS THE PROPERTY OF QSC, LLC. THAT MAY NOT BE DISCLOSED, REPRODUCED OR USED WITHOUT EXPRESS WRITTEN CONSENT FROM QSC, LLC.

REVISIONS			
REV	DESCRIPTION	BY	DATE
A	INITIAL RELEASE	ES	02-MAY-16



REAR VIEW

7. DIMENSIONS ARE IN MILLIMETERS [INCH].
6. GRILLE NOT SHOWN FOR CLARITY.
5. PARTS ARE SYMMETRICAL ABOUT CENTER LINES UNLESS OTHERWISE NOTED.
4. SYMBOL ⊕ INDICATES CENTER OF BALANCE.
3. SYMBOL ⊙ INDICATES POLE MOUNT LOCATION & SUSPENSION POINT.
DUAL-ANGLE 35MM POLE SOCKET, 15 TOTAL: M8-1.5 THD.
2. TOLERANCES (MM): X ± 3, ANGLES: ± 1°.
1. NET WEIGHT APPROXIMATELY 20 KG [44 LBS].

NOTE: UNLESS OTHERWISE SPECIFIED

UNLESS OTHERWISE SPECIFIED DIMENSIONS IN MILLIMETERS (IN) TOLERANCES ARE: DECIMALS .XX±.01 ANGLES .XX±.25(1.0) ± 1/2 DECURR EDGES .25 (1.01) R MAX MATERIAL FINISH	DESIGNER ENG. SERVICES	QSC, LLC 1675 MACARTHUR BOULEVARD COSTA MESA, CA 92626	SPEAKER, E SERIES 10", FINISHED		
	ENGINEER				
	TECHNICAL DIRECTOR	SIZE D	CAGE CODE 00PW4	DRAWING NO. FG-300010-2D	REV A
	MANUFACTURING ENGINEER	DRAWING INFO: FG-300010-2D.A.1	SCALE: 0.250	DO NOT SCALE DRAWING	SHEET 1 OF 1
	MODEL INFO: FG-300010-3D.A.1				